

test
pointshigh
voltage*

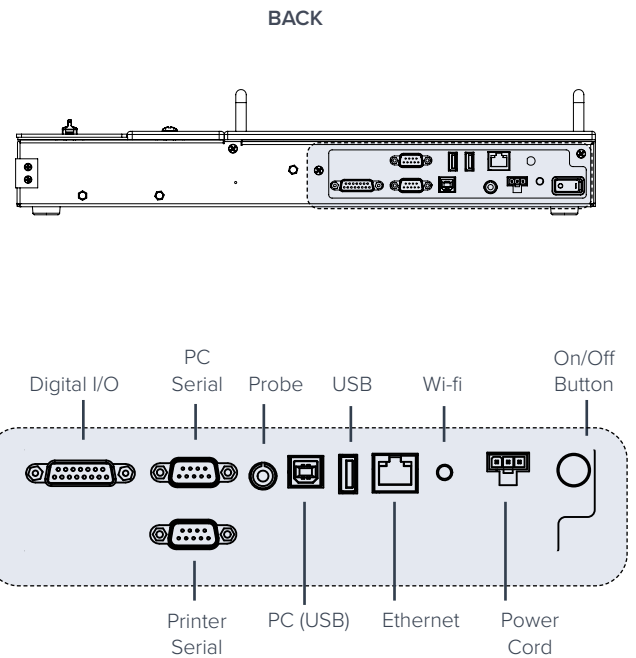
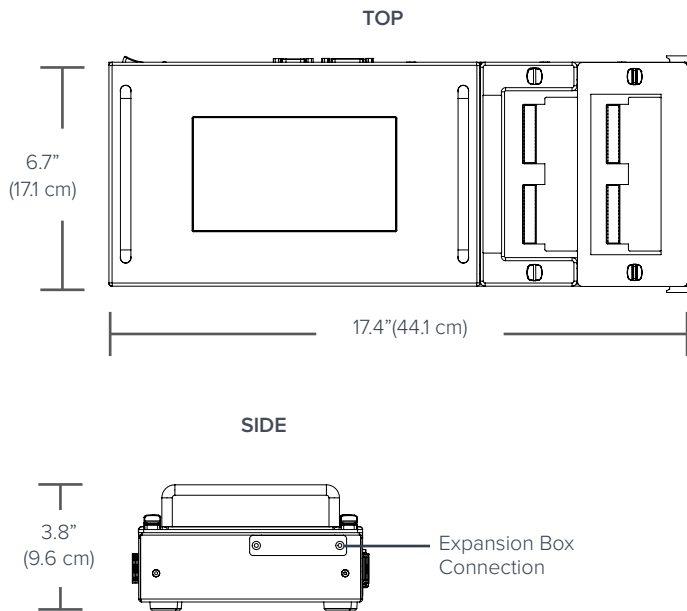
standalone

4200 Cable Tester

Designed for ease-of-use, the Cirris 4200 benchtop cable tester makes low voltage testing quick and easy. Compatible with the Cirris Adapter System, test hundreds of cables of all variety. The 4200 easily integrates into your operations and ensures your cables are free of opens, shorts, miswires, and other errors. The 4200 is a go-to tester when throughput and efficiency are of the utmost importance.

Product Features

- **Thorough Testing** – Test for continuity, isolation, opens, and miswires. Analyze components such as resistors, diodes, capacitors, and perform 4-wire Kelvin resistance measurements.
- **Expandable** – Up to 1024 points in 128-point increments.
- **Fast Testing** – Innovative technology and efficient algorithms reduce time spent on testing.
- **Easy to Learn** – No advanced skills or training necessary to begin testing.
- **Compact** – Small, lightweight, and self-contained for easy mobility around the production floor.
- **Built-in Networking** – Easily share test programs and printers among multiple units.
- **Test Program Customization** – Customize test setup, labels, and reports.
- **Multiple Language Options** – Interface translated into several languages to avoid mistakes caused by language barriers. (More languages to come.)
- **Transition from 1100** – Use test programs and reports already set up for the 1100R+ on the 4200.
- **Durable** – Test thousands of cables without fear of equipment failure.
- **Optional PC Control** – Connect to a PC and expand capability with Cirris Easy-Wire® Software.
- **Printing** – Local and network printing capabilities for printing reports. Zebra printer attaches to integrated serial port on tester for printing labels.
- **Error Location** – Detects error location (which end) for shorts.
- **Digital I/O** – Automate your test process with lights, switches, and safety devices.
- **Cirris Adapter System** – Compatible with Cirris interchangeable test adapters that provide inexpensive interchangeable fixturing.
- **Optional Features** – Also compatible with Easy-Wire/PC-control, scripting, and data collection.
- **Full-color Touch Screen** – View instructions and test results on 7” display.



4200 Specifications

Test Points

128 points; expandable to 1024 points in 128-point increments

Low Voltage Test

■ 2 Wire

Voltage: 4 V max

Current: 3 μ A to 6 mA

Resistance: 0.1 Ω to 100 k Ω \pm 1% \pm 0.1 Ω , 100 k Ω to 5 M Ω \pm 10%

■ 4 Wire

Voltage: 4 V max

Current: 1 mA to 1 A

Resistance: 0.005 Ω to 10 Ω \pm 2% \pm 0.005 Ω

Component Tests

Diodes: Silicon, LEDs, zeners with breakdown > 4 V

Resistors: 0.1 Ω to 100 k Ω \pm 1% \pm 0.1 Ω , 100 k Ω to 5 M Ω \pm 10%

Capacitors: 5 nF to 100 μ F \pm 10% \pm 0.02 nF

Max Points Per Net

Unlimited

Digital Input/Output

4 Inputs / 6 Outputs, 24 V Open collector, +10 V and +5 V each current limited to 100 mA

Test Point Interface

Cirris Adapter System

User Interface

Display: 7" color graphic display with capacitive touch screen (800 X 480 pixel resolution).

Localization: English, German, Spanish with ability to translate to other languages as needed.

Memory: Internal memory for test program storage (8GB or more).

File transfer: Transfer test programs either by connecting directly to a PC or using a USB flash drive.

Printing: Local label printing via serial ports. Network printing via optional Cirris Hub™ software.

Optional PC control: Additional advanced features via Easy-Wire® software.

Power

115 / 230V 50/60 Hz

Size

Main Unit: 17.4" x 6.7" x 3.8" (44.1 cm x 17.1 cm x 9.6 cm)

Add-on Box: 6.3" x 6.7" x 2.5" (15.9 cm x 17.1 cm x 6.4 cm)

Weight

Main Unit: 7.1 lb (3.3 kg)

Add-on Box: 2.3 lb (1.1 kg)