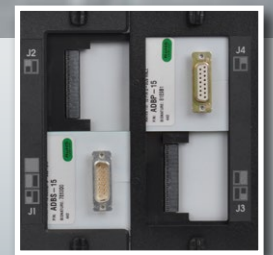


# Simple resistance testing at the lowest price

**CIRRIS**<sup>®</sup>  
SYSTEMS



## Cirris 1000RX™ low voltage cable tester

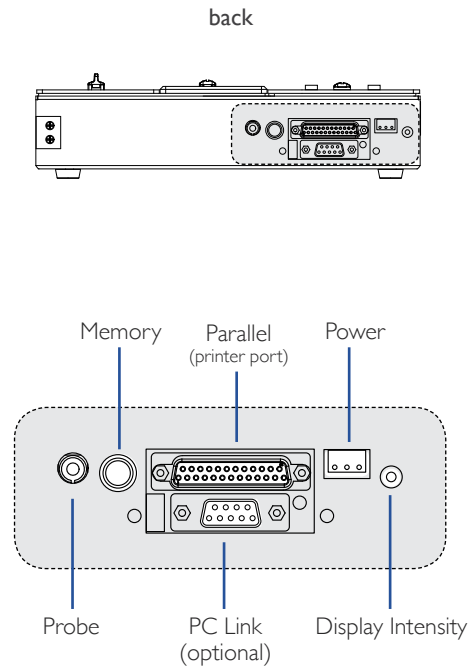
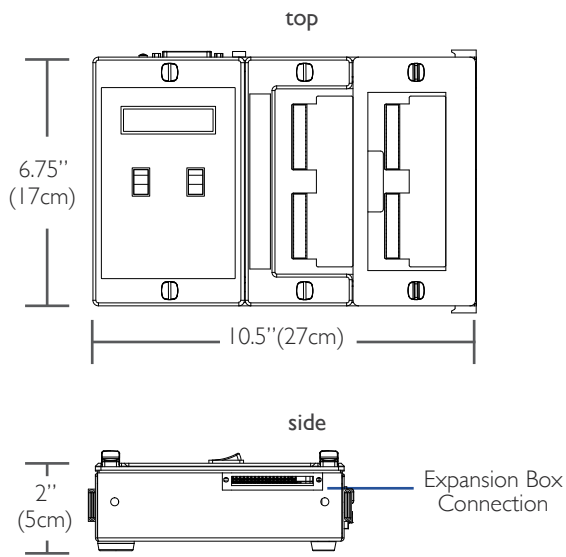
Many assembly shops understand that quality is important but can't afford to invest in automated testing equipment. These shops run a high risk of low quality products because their cables and harnesses are tested by hand or not tested at all.

The 1000RX verifies all electrical connections in cable and harness assemblies at an affordable price. In order to keep the cost down, this tester performs only the most basic tests without any advanced features. In this way you can integrate the 1000RX into your process with minimal impact to budget and still guarantee quality.

### Product Features

- **Low cost** – affordable for small shops, scalable for large operations
- **Simple** – focused on the essential testing functions
- **Quick test setup** – Cirris Adapter System provides inexpensive, interchangeable fixturing
- **Fast testing** – efficient algorithms reduce time spent on testing
- **Expandable for large assemblies** – up to 256 test points
- **Compact** – small and lightweight
- **Self-contained** – independent system able to move around the operating floor to different test stations

For more information visit [www.cirris.com/1000rx](http://www.cirris.com/1000rx) or call 1-800-441-9910



## 1000RX Specifications

### Test Points

128 points; expandable to 256 points

### Low Voltage Test

**Voltage:** 5.5V max

**Current:** 180  $\mu$ A to 6.7 mA

**Resistance:** 0.1  $\Omega$  to 10 k $\Omega$  ( $\pm 4\%$   $\pm 0.1 \Omega$ ); 50 k $\Omega$  ( $\pm 10\%$ ); 500 k $\Omega$  ( $\pm 20\%$ ); 1 M $\Omega$  ( $\pm 25\%$ ); 5 M $\Omega$  ( $\pm 25\%$ )

### Component Tests

**Diodes:** Silicon, zeners with breakdown > 4V

**Resistors:** 0.1  $\Omega$  to 100 K $\Omega$   $\pm 1\%$  (10% tolerance)

### Max Points Per Net

Unlimited

### Test Point Interface

Cirris Adapter System

### User Interface

**Display:** 2 line  $\times$  16 character LCD

**Memory:** Nonvolatile storage of up to 50 wirelists

Limited PC control via Cirris CTLWin software

### Power

105 - 135V, 60 Hz, 210 - 260V, 50 Hz (optional)

### Size

**Main Unit:** 10.5"  $\times$  6.7"  $\times$  2" (27cm  $\times$  17cm  $\times$  5cm)

**Add-on Box:** 6.3"  $\times$  6.7"  $\times$  2" (16cm  $\times$  17cm  $\times$  5cm)

### Weight

**Main Unit:** 4.2 lbs (1.9 kg)

**Add-on Box:** 2.3 lbs (1.0 kg)