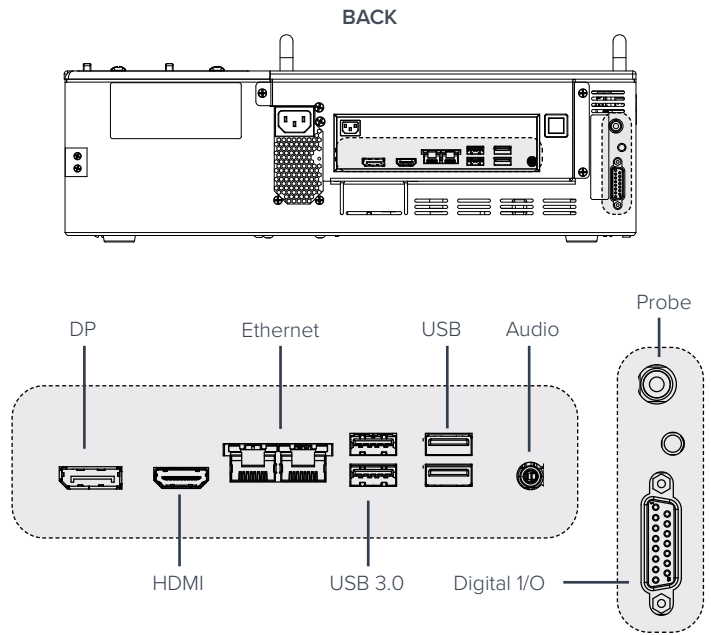
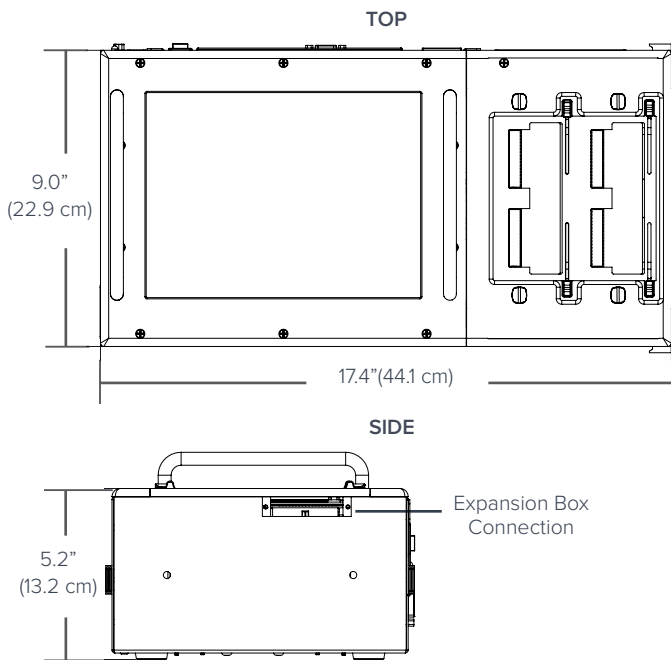


Easy-Touch® Pro High Voltage Cable Tester

The Easy-Touch Pro is a powerful standalone high voltage cable tester. The all-in-one unit contains a built-in Windows® PC running Cirris Easy-Wire® Software, the most powerful cable testing software on the market today. The Easy-Touch Pro can easily integrate into your manufacturing environment for consistent and accurate testing of thousands of cables. The tester's mix of functionality and flexibility will meet your production needs.

Product Features

- **Thorough Testing** – Test for continuity, isolation, resistors, diodes (with programmable forward & reverse pass/fail voltage thresholds), capacitors, split twisted pairs, and perform 4-wire resistance measurements.
- **High Voltage** – Perform high voltage dielectric withstand (DW) and insulation resistance (IR) testing up to 2000 VDC or 1000 VAC (1500 VDC standard).
- **Error Location** – Detects error location (which end) for opens and shorts.
- **Expandable for Large Assemblies** – Test up to 1024 test points (128 points per scanner box).
- **Built in PC** – Integrated Windows 10 PC and 10.4” full-color, capacitive touch-screen display.
- **Powerful Reporting** – Test reports can be customized to include information such as low voltage measured values and high voltage IR measurements. Reports can be automatically exported and printed.
- **Windows Networking** – Share test programs, printers, and files through connecting to a windows network.
- **Straightforward Organization** – Serial numbers and lot numbers can be captured and stored with test results.
- **Store Results** – Test results are stored in a database and can be searched and viewed from within the Easy-Wire. Search for results using variables such as test date, test program name, test station name, serial number, and lot number.
- **Optional Server Software** – Cirris Server Software allows multiple testers to connect to a single networked database. Load programs and save results on a network.
- **Cirris Adapter System** – Compatible with Cirris interchangeable test adapters that provide inexpensive interchangeable interfacing.
- **Optional Features** – Options include AC DW testing, scripting, digital I/O and server software.



Easy-Touch Pro Specifications | Visit cirris.com/etp or call +1-801-973-4600

Test Points

128 points; expandable to 1,024 points in 128-point increments (64 point configuration available)

Low Voltage Test

■ 2 Wire

Voltage: 4 V max

Current: 3 μ A to 6 mA

Resistance: 0.1 Ω to 100 k Ω \pm 1% \pm 0.1 Ω , 100 k Ω to 5 M Ω \pm 10%

■ 4 Wire

Voltage: 4 V max

Current: 1 mA to 1 A

Resistance: 0.001 Ω to 10 Ω \pm 2% \pm 0.001 Ω

Component Tests

Diodes: Silicon, LEDs, zeners with breakdown > 4 V

Resistors: 0.1 Ω to 100 k Ω \pm 1% \pm 0.1 Ω , 100 k Ω to 5 M Ω \pm 10%

Capacitors: 5 nF to 100 μ F \pm 10% \pm 0.02 nF

Twisted Pairs: Verify proper pairing in twisted pair cables

High Voltage Test

■ Insulation Resistance Test

Voltage: 100 to 1500 VDC \pm 5% (2000 VDC* optional), 50 to 100 VDC \pm 5V

Resistance: 5 M Ω to 1000 M Ω \pm 10%

■ Dielectric Withstand Test

DC Voltage: 100 to 1500 VDC \pm 5% (2000 VDC* optional), 50 to 100 VDC \pm 5V

AC Voltage (optional): 100 to 1000 VAC \pm 5%, 50 to 100 VAC \pm 5V

* 2000VDC systems should be limited to 512 Test Points

Current Limit: 0.1 mA to 1.5 mA \pm 5%

Max Capacitance Per Net: 150 nF @ 300 VDC, 90 nF @ 500 VDC, 45 nF @ 1000 VDC, 30 nF @ 1500 VDC, 9.5 nF @ 1000 VAC

HV Energy Limit: 35 mJ

HV Charge Limit: 45 μ C

Max Points Per Net

512

Digital Input/Output

4 Inputs / 6 Outputs, 24 V Open collector, +10 V and +5 V each current limited to 100 mA

Test Point Interface

Cirris Adapter System

User Interface

Built-in PC with Windows 10®

Display: 10.4" Full-Color Graphic Touch Screen display

Power

115 / 230 V 50/60 Hz

Size

Main unit: 17.4" x 9.0" x 5.2" (44.1 cm x 22.9 cm x 13.2 cm)

Add-on box: 6.3" x 9.0" x 5.2" (15.9 cm x 22.9 cm x 13.2 cm)

Weight

Main unit: 18 lbs (8.2 kg)

Add-on box: 6.5 lbs (2.9kg)